



6 inch High Speed Dome IR IP Camera
With 20x, 22x, 32x Optical Zoom option and Auto Focus Function

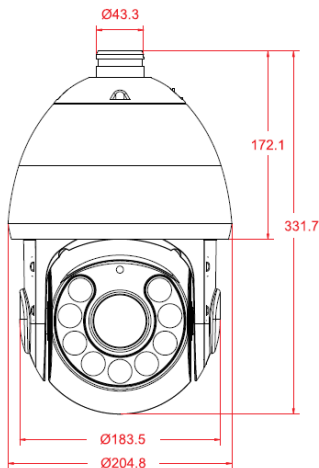


Innovative Features

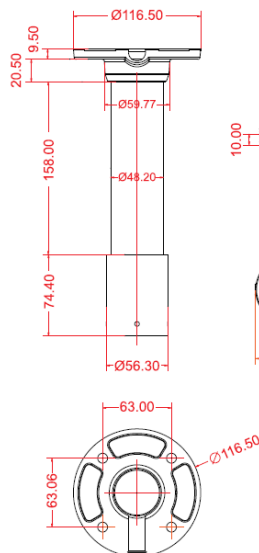
- ✓ Optical zoom & AF
- ✓ Smart IR LED: efficient infrared array light, low power consumption, the effective radiation distance
- ✓ Starlight low illumination
- ✓ 3D positioning control

*Product shipped with wall mount bracket

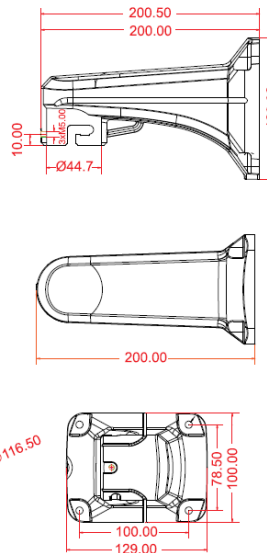
Speed Dome Body



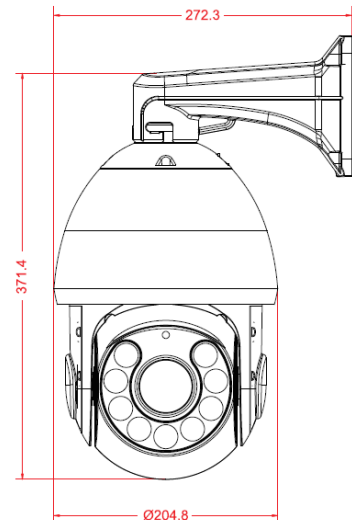
Pendant Mount (option)



Wall mount



Speed Dome with wall mount



| Model | AH5911D-32X | AH5911T-22X | AH5911D-20X |
|------------------|-----------------------------|-----------------------------|------------------------------|
| Sensor | 1/2.8" , 2.43MP Sony sensor | 1/2.8" , 3.23MP Sony sensor | 1/2.86" , 2.13MP Sony sensor |
| Effective pixels | Full HD (1920*1080) | QXGA (2048*1536) | Full HD (1920*1080) |

| | | | |
|-------------------------|--------------------------------------------------------------------------------------------------------------------------------------------------------------------------------------------------------------------------------------------------------------------------------------------|------------------------|-----------------------|
| Frame Rate | Real-time 25/30fps | Real-time 25/30fps | Real-time 25/30fps |
| Lens | 32x optical zoom | 22x optical zoom | 20x optical zoom |
| Focus Length | f4.5 - 144mm | f4.3 – 94.6mm | f4.7 - 94mm |
| Iris | Fw/1.6 - Ft/4.8 | Fw/1.6 - Ft/3.5 | Fw/1.6 - Ft/3.5 |
| Focus | Auto focus , Manual focus | | |
| HFOV | 59.8°(w)-2.34°(t) | 58.7°(w)-3.2°(t) | 51.3°(w)-2.8°(t) |
| Minimum Object Distance | 0.5M(wide)-2.0M(tile) | 0.01M(wide)-1.5M(tile) | 0.5M(wide)-2.0M(tile) |
| Minimum illumination | Color: 0.05Lux @(F1.6,AGC ON) B / W: 0.02Lux @(F1.6,AGC ON) | | |
| IR LED | 9pcs IR LED with smart IR LED | | |
| IR-CUT | Auto day & night dual IR filter switch | | |
| IR Distance | 180meters | | 150 meters |
| WDR | D-WDR | | |
| Video Compression | H.264+, H.264, and MJPEG tri-encoders | | |
| Image Setting | Adjustable image format, bit rate, brightness, contrast, saturation, sharpness, white balance Intelligent OSD Flip and mirror image (aisle mode) Latitude and longitude image mode 3D-MCTF digital noise reduction, Privacy Mask, BLC *Optional video function: de-fog | | |
| 4A Auto Control | Auto white balance, Auto gain control, Auto exposure, AIC | | |
| Electronic Shutter | 1/10000s to 1/25s | | |
| Audio Encoder | G.711(64Kbps) / MP2(16kHz 16bit 32kbps) / AAC (by request) | | |
| PTZ Information | | | |
| Horizontal Range | 0°-360° | | |
| Vertical Range | 0°-90° | | |
| Horizontal Speed | 0.01°-350°/sec | | |
| Preset | 256 presets | | |
| Preset Cruise | 8 cruise (each of the 16 presets) | | |
| Patterns Scan | Support 8 paths | | |
| General | | | |
| Supported Protocols | IPv4, TCP/IP, UDP, HTTP, DHCP, RTP/RTCP, FTP, UPnP, DDNS, NTP, IGMP, ICMP | | |
| Security | Password protection, multi user access | | |
| System Integration | ONVIF API for integration | | |
| Connectors | RJ45 10M/100M | | |

| | |
|---------------|-----------------------------------------------------------------------------------------------------------------------------|
| | <p>2 alarm input, 1 alarm output</p> <p>Audio line in, audio line out</p> <p>Composite video out</p> <p>mSD card slot</p> |
| Temperature | -40°C-+70°C |
| Construction | <p>Outdoor use</p> <p>All aluminum alloy shell, 3000V Lightning storm surge protection</p> |
| Adapter/Power | AC 24V/3A MAX 33W |
| Weight | 4.5Kg |
| Size | <p>wall bracket : Φ204.8 x H371.4 x W272.3mm</p> <p>celling bracket : Φ204.8 x H594.1mm</p> |